

PULSAtron E+ RC

The PULSAtron E+ with Ratio Control offers manual stroke length adjustment, automatic speed control based on a water meter input signal and a selectable ratio control up to 1.0 Oz/ Gallon.

Three models are available, having pressure capabilities to 100 PSIG (7 BAR) and flow capabilities to 120 GPD (18.9 lph). Metering performance is reproducible to within $\pm 2\%$ of maximum capacity.

Please refer to the reverse side for specifications.

FEATURES

- Automatic Control, pump speed is automatically adjusted to maintain the ratio that is set.
- Manual Control by on-line adjustable stroke length.
- Prime mode allows the pump to operate at 100% speed.
- Standby mode allows the pump to be stopped and act as a water meter signal repeater.
- Panel Mounted Fuse.
- Solenoid Protection by thermal overload with auto-reset.
- Water Resistant, for outdoor and indoor applications.
- Indicator Lights, for pump stroke and water meter input.
- Guided Ball Check Valve Systems, to reduce back flow and enhance outstanding priming characteristics.
- Safe & Easy Priming with durable leak-free bleed valve assembly (standard).



CONTROLS

Manual Stroke Length

- Turn-Down Ratio 10:1

Automatic Stroke Rate

- Adjustment range 0.1 to 1.0 Oz/Gallon

Water Meter Pulse Per Gallon Setting

- 1PPG, 2PPG, 4PPG & 10PPG

Water Output Signal

- Duplicates the water meter input signal for pacing other pumps

BENEFITS

- Reliable metering performance.
- Rated "hot" for continuous duty.
- High viscosity capability.
- Leak-free, sealless, liquid end.



Tested and Certified by WQA against NSF/ANSI/CAN 61 & 372.



PVDF & PVC Degass Head Pumps.
See www.wqa.org for certification parameters.

SPECIFICATIONS

Model		RPE4	RPG5	RPH6
Capacity Nominal (max)	GPH	1.85	4.00	5.00
	GPD	44	96	120
	LPH	7	15.1	18.9
Pressure (max)	PSIG	100	100	100
	BAR	7	7	7
Connections	Tubing	1/4" ID x 3/8" OD		
		3/8" ID x 1/2" OD		
	Piping	1/4" FNPT		
Max. Water flow @ 1 Oz/Gallon dose @ 70 PSI (5.5 BAR)	GPM	4.0	8.5	10.0
	LPM	15.1	32.2	37.9
Max. Water flow @ 1 Oz/Gallon dose @ 50 PSI (3.4 BAR)	GPM	5.0	9.0	14.0
	LPM	18.9	34.1	53.0

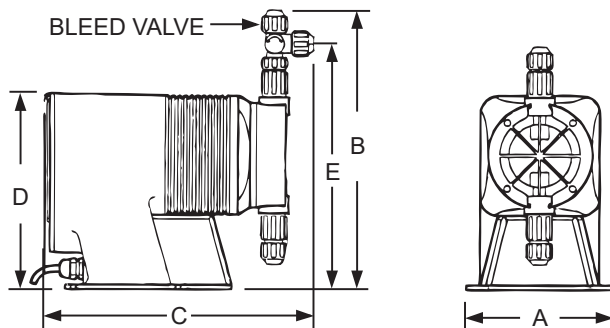
ENGINEERING DATA

Pump Head Materials Available	GFPPL, PVC, PVDF, 316 SS
Diaphragm	PTFE-faced CSPE-backed
Check Valves Materials Available	
Seats/O-Rings	PTFE, CSPE, Viton
Balls	Ceramic, PTFE, 316 SS, Alloy C
Fittings Materials Available	GFPPL, PVC, PVDF
Bleed Valve	Same as fitting and check valve selected, except 316SS
Injection Valve & Foot Valve Assy	Same as fitting and check valve selected
Tubing	Clear PVC, White PE

Important: Material Code - GFPPL=Glass-filled Polypropylene, PVC=Polyvinyl Chloride, PE=Polyethylene, PVDF=Polyvinylidene Fluoride, CSPE=Generic formulation of Hypalon, a registered trademark of E.I. DuPont Company. Viton is a registered trademark of E.I. DuPont Company. PVC wetted end recommended for sodium hypochlorite.

Reproducibility	±2% at maximum capacity
Viscosity Max CPS	1000 CPS
For viscosity up to 3000 CPS, select connection size 3, 4, B or C with 316SS ball material. Flow rate will determine connection/ball size. Greater than 3000 CPS require spring loaded ball checks. See Selection Guide for proper connection.	
Stroke Frequency Max SPM	125
Stroke Frequency Turn-Down Ratio	0.1 to 1.0 Oz/Gallon
Stroke Length Turn-Down Ratio	10:1
Power Input	115 VAC / 50-60 HZ / 1 ph
Average Current Draw	
@ 115 VAC: Amps	1.0 Amps
Peak Input Power	300 Watts
Average Input Power @ Max SPM	130 Watts
Approvals	Conforms to ANSI/NSF STD. 50

DIMENSIONS



Series E + RC Dimensions (inches)						
Model	A	B	C	D	E	Shpg Wt (lbs)
RPE4	5.4	10.6	11.2	7.5	9.2	15
RPG5	5.4	10.9	11.7	7.5	9.5	18
RPH6	6.2	11.3	11.9	8.2	9.9	21



27101 Airport Road
Punta Gorda, FL 33982
Tel: (941) 575-3800
Fax: (941) 575-4085
www.pulsatron.com



An ISO Certified Company

IBEX
EMP020 B22