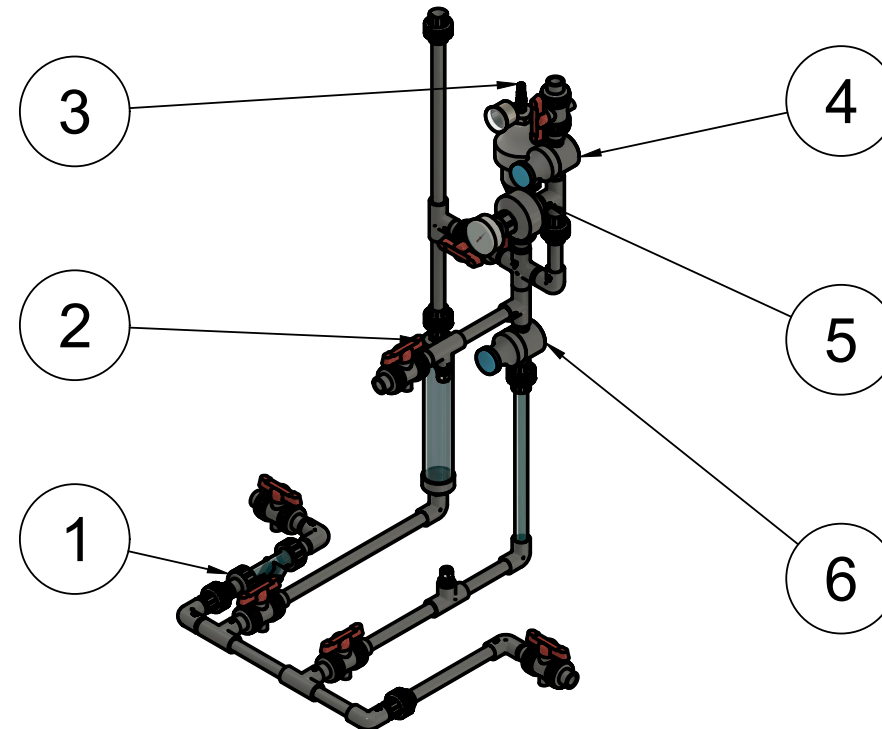
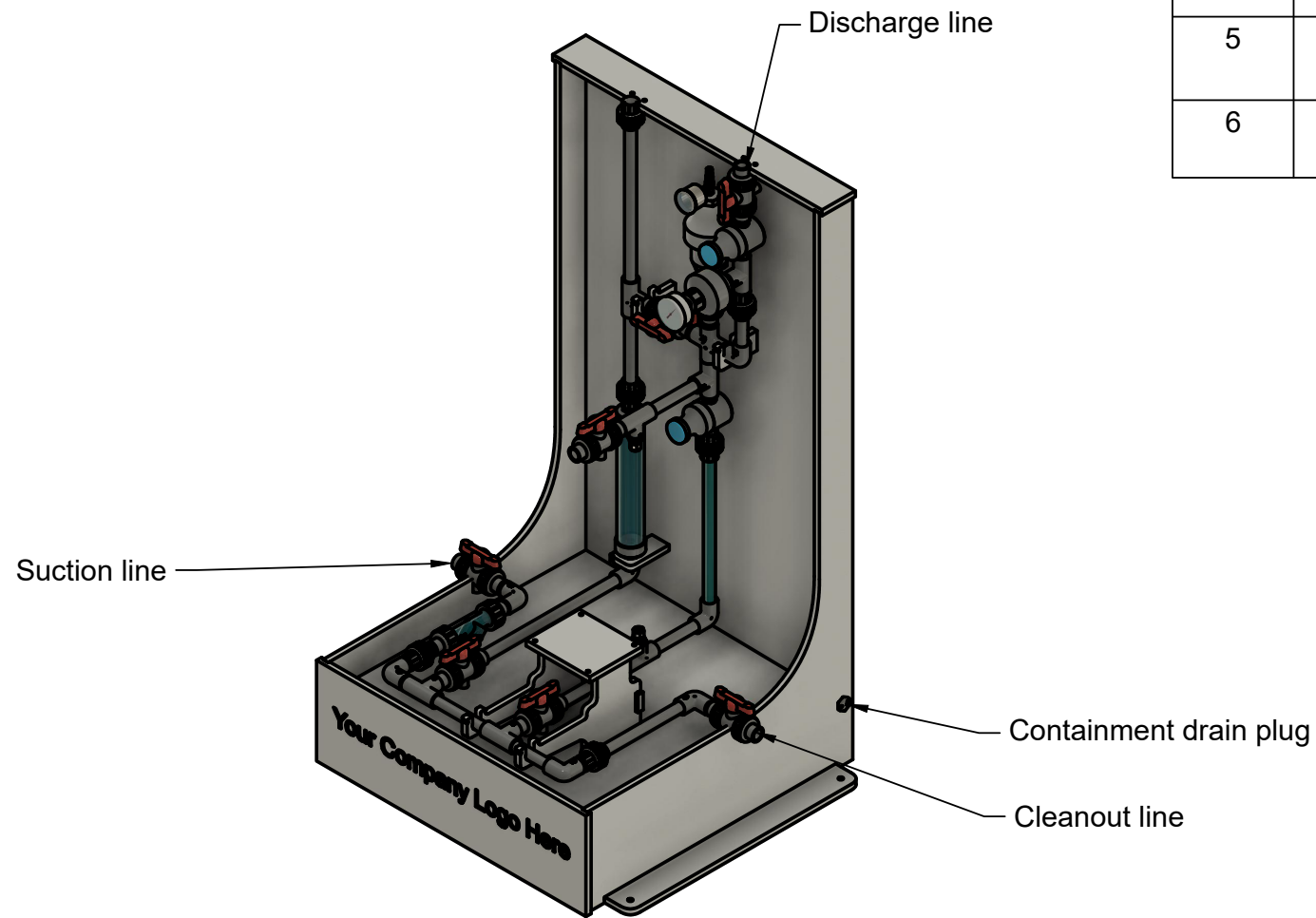


PARTS LIST				
ITEM	QTY	PART NUMBER	DESCRIPTION	MATERIAL
1	1	ASAHI 1/2" SEDSTRAINER 16E	ASAHI 1/2" SEDIMENT STRAINER	PVC-PIPING
2	1	CAN250S-E	NSF61 PVC CALIBRATION CYLINDER: NPT	PVC-PIPING
3	1	FLN12P-E	PULSATION DAMPENER 1/2" PTFE BLADDER	PVC-PIPING
4	1	BN499P-E	SIGMAMOTOR MINI BACK PRESSURE VALVE	PVC-PIPING
5	1	GIN100P-E-B	SIGMAMOTOR PRESSURE GAUGE WITH ISOLATOR ASSEMBLIES: NPT (BACK MOUNT)	PVC-PIPING
6	1	P2N499P-E	MINI PRESSURE RELIEF VALVE: 2-PORT NPT	PVC-PIPING

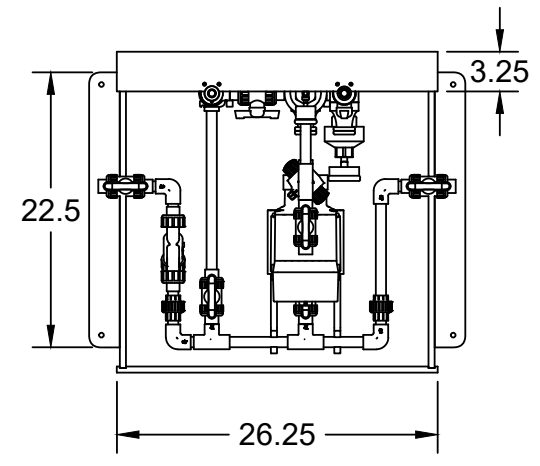


Floor tapered 1 degree from left to right and from front to back.
Suction line and Cleanout line are interchangeable to allow plumbing from either direction.

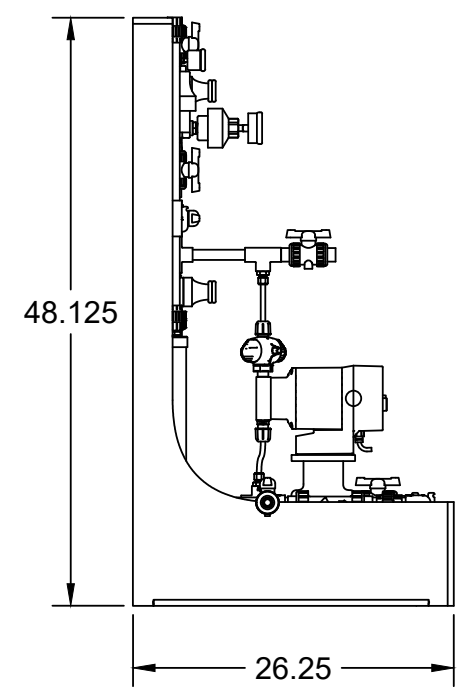
		PROJECT		
		Dosinfection Simplex Skid		
		TITLE		
		.5in Interchangeable Suction Simplex		
APPROVED	SIZE	CODE	DWG NO	REV
CHECKED	B			
DRAWN Adam Craig	7/8/2019	SCALE 1:12	WEIGHT	SHEET 1/2



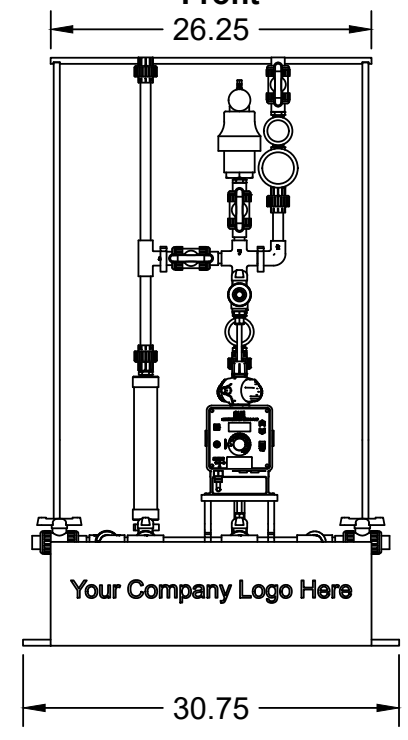
Top



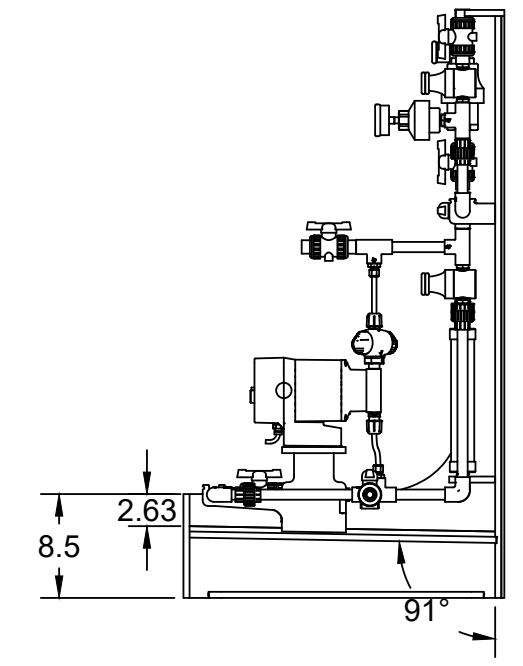
Left



Front



Right



		PROJECT		
		Dosinfection Simplex Skid		
		TITLE		
		.5in Interchangeable Suction Simplex		
APPROVED	SIZE	CODE	DWG NO	REV
CHECKED	B			
DRAWN Adam Craig	7/8/2019	SCALE 1:15	WEIGHT	SHEET 2/2