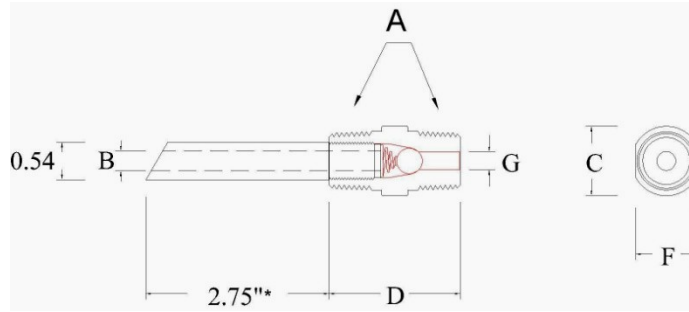




# QB & QC Series Injection Quills

## PRODUCT DATA SHEET



QC Injection Quill is depicted above – QB Injection Quill comes without check valve

A	B		C	D	F	G	
	SS & Alloys	Plastics				QB Series	QC Series
½" MNPT	.36	.30	1.00"	1.87"	.87"	.25"	.25"
¾" MNPT	.36	.30	1.25"	2.00"	1.12"	.31"	.25"
1" MNPT	.36	.30	1.50"	3.00"	1.37"	.44"	.25"
All Dimensions are in inches							

**\*Standard Injection quill Length is 2 ¾" – Custom Injection Quill Lengths up to 24"**

- The Eddington QB & QC Injection Quills offer MNPT process connections X MNPT pump side connections. Stainless Steel and Alloy quills can be used for high temperature, high pressure applications.
- These injection quills are available in Type 316 Stainless Steel, PVC, Kynar, Alloy 20, and Hastalloy C276.
- The QC Injection Quill has a built in ball check valve to prevent backflow through the nozzle and into the chemical feed line. The QB Injection Quill has no check valve.
- Crack pressure on the QC Injection Quill is 20 psi; if the pump cannot deliver at least 20 psi then a QC Injection Quill may be appropriate.
- There are two flat surfaces on the external portion of the nozzle so a wrench can be used during installation.
- Standard injection quill length is 2 ¾" but custom lengths up to 24" are available. For additional lengths please add the desired length after the part number (eg. QC-316-050-18).

Material	PART NUMBERS			Check Valve Material		Temperature and Pressure Rating	
	Process Connection Size (MNPT)			Ball	Spring	Max Temp	Max Press. (psi)
	½"	¾"	1"				
316 Stainless Steel	QC-316-050	QC-316-075	QC-316-100	316 SS	316 SS	750° (400°C)	3000
PVC	QC-PVC-050	QC-PVC-075	QC-PVC-100	Ceramic	HAST C	100° (400°C)	150
Kynar	QC-KY-050	QC-KY-075	QC-KY-100	Ceramic	HAST C	200° (400°C)	150
Kynar w/Teflon CV	QC-KY-050-T	QC-KY-075-T	QC-KY-100-T	Teflon	HAST C	200° (400°C)	150
Alloy 20	QC-C20-050	QC-C20-075	QC-C20-100	HAST C	HAST C	750° (400°C)	3000
Hastalloy C 276	QC-Hastalloy-050	QC-Hastalloy-075	QC-Hastalloy-100	HAST C	HAST C	750° (400°C)	3000
316 Stainless Steel	QB-316-050	QB-316-075	QB-316-100	NO CHECK VALVE		750° (400°C)	3000
PVC	QB-PVC-050	QB-PVC-075	QB-PVC-100	NO CHECK VALVE		100° (400°C)	150
Kynar	QB-KY-050	QB-KY-075	QB-KY-100	NO CHECK VALVE		200° (400°C)	150
Alloy 20	QB-C20-050	QB-C20-075	QB-C20-100	NO CHECK VALVE		750° (400°C)	3000
Hastalloy C 276	QB-Hastalloy-050	QB-Hastalloy-075	QB-Hastalloy-100	NO CHECK VALVE		750° (400°C)	3000